



Installation instructions, accessories

Volvo Car Corporation Gothenburg, Sweden

Instruction No	Version	Part. No.
31428862	1.1	39847315, 39847307, 39847313, 39847317, 39847333, 39847330, 39847336, 39847339, 39847319, 39847321, 39847323, 39847325, 39847341

Diffuser



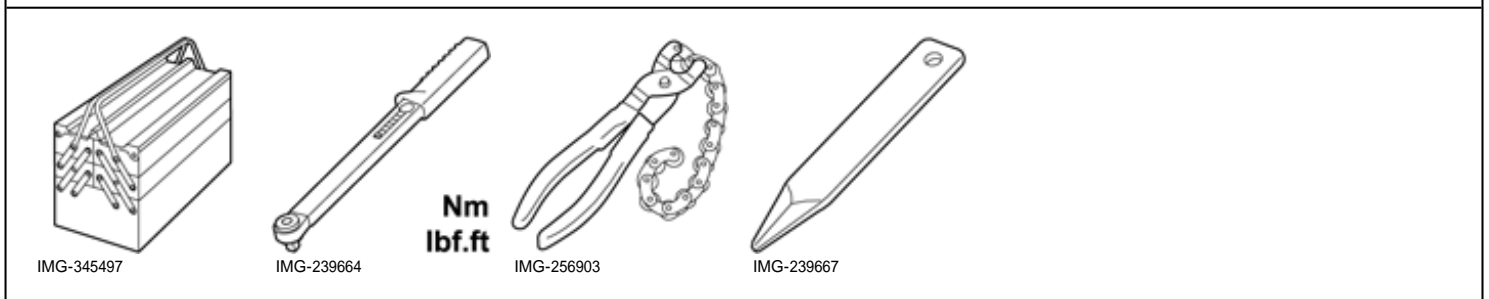
Installation instructions, accessories

Volvo Car Corporation Gothenburg, Sweden

Special tools

	115 8590 PIPE CUTTER Tool number:115 8590 Tool description:PIPE CUTTER Tool boards:08
	115 8590 PIPE CUTTER Tool number:115 8590 Tool description:PIPE CUTTER Tool boards:08

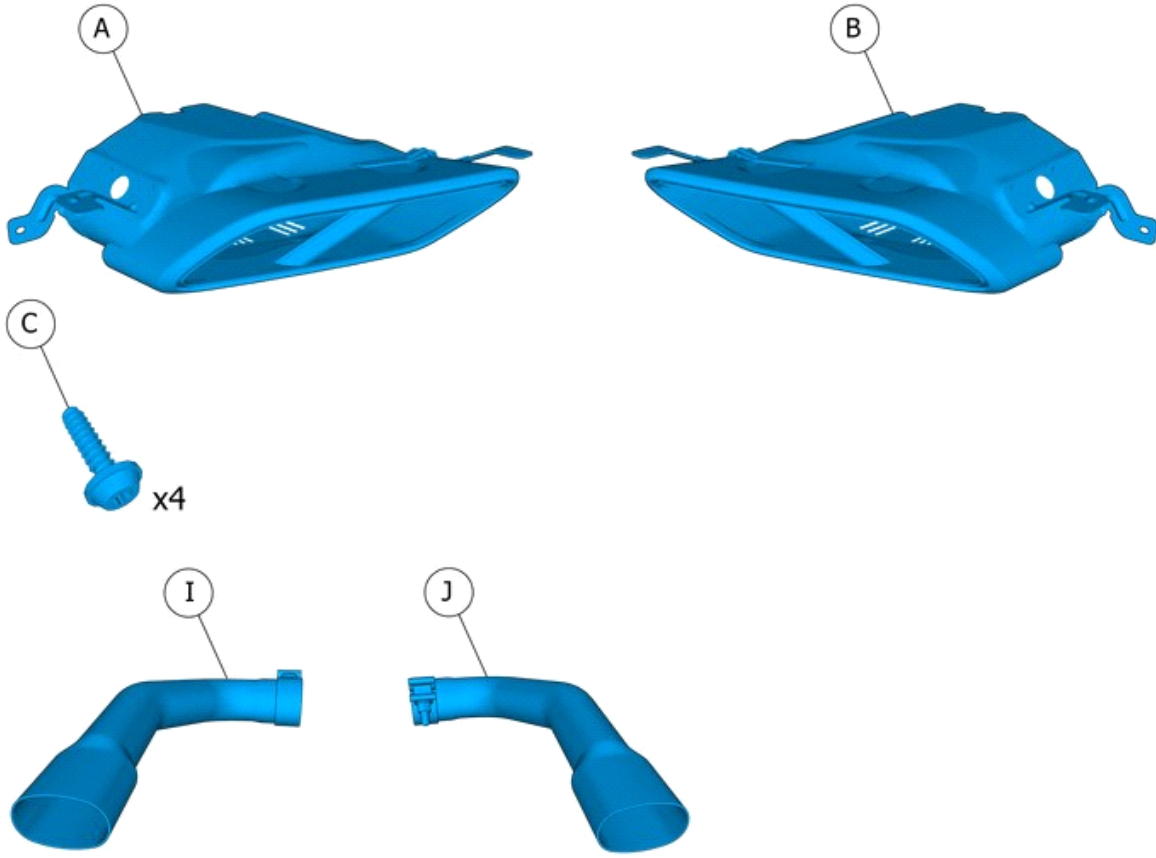
Equipment





Installation instructions, accessories

Volvo Car Corporation Gothenburg, Sweden

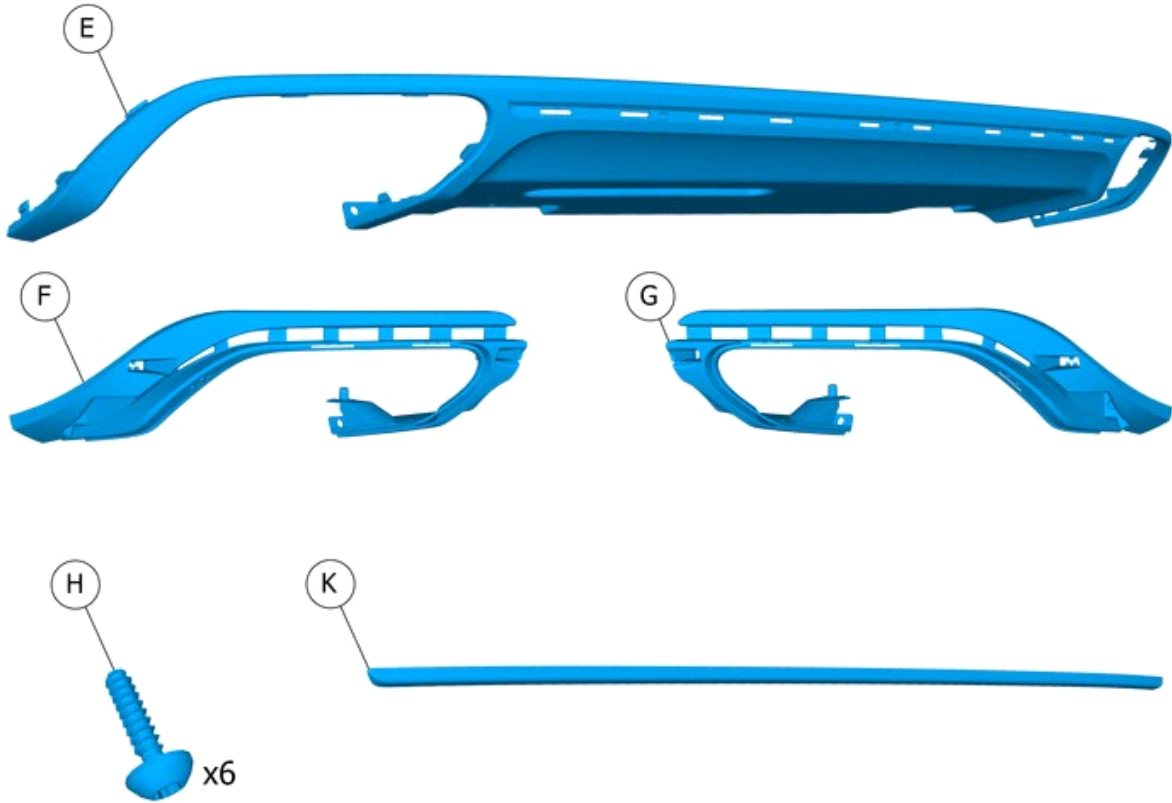


IMG-416933



Installation instructions, accessories

Volvo Car Corporation Gothenburg, Sweden

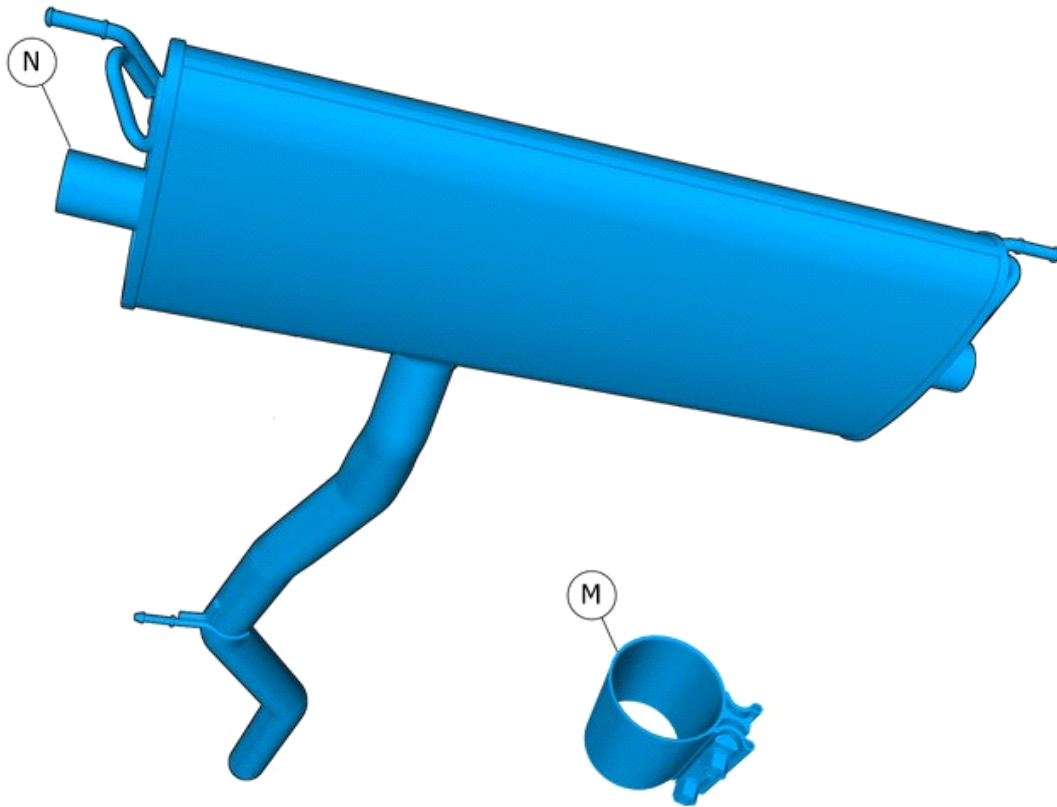


IMG-416936



Installation instructions, accessories

Volvo Car Corporation Gothenburg, Sweden



IMG-420542



Installation instructions, accessories

Volvo Car Corporation Gothenburg, Sweden

Information

1

Read through all of the instructions before starting installation.

Notifications and warning texts are for your safety and to minimise the risk of something breaking during installation.

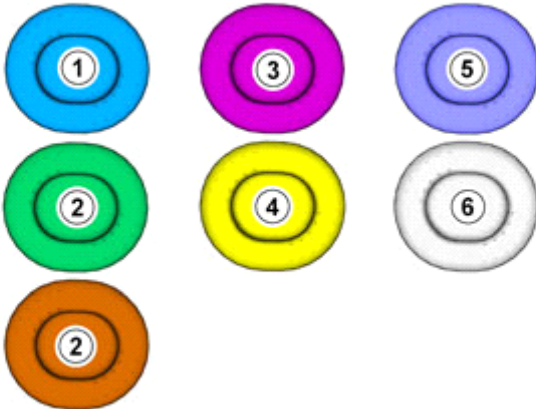
Ensure that all tools stated in the instructions are available before starting installation.

Certain steps in the instructions are only presented in the form of images. Explanatory text is also given for more complicated steps.

In the event of any problems with the instructions or the accessory, contact your local Volvo dealer.

Color symbols

2



IMG-363036

Note!

This colour chart displays (in colour print and electronic version) the importance of the different colours used in the images of the method steps.

- Used for focused component, the component with which you will do something.
- Used as extra colors when you need to show or differentiate additional parts.
- Used for attachments that are to be removed/installed. May be screws, clips, connectors, etc.
- Used when the component is not fully removed from the vehicle but only hung to the side.
- Used for standard tools and special tools.
- Used as background color for vehicle components.

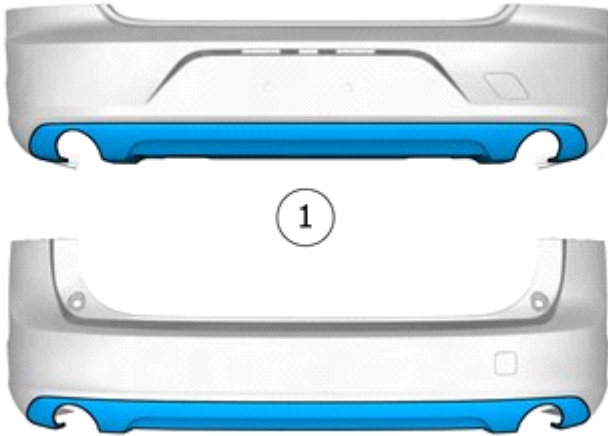
Alternative 1



Installation instructions, accessories

Volvo Car Corporation Gothenburg, Sweden

3

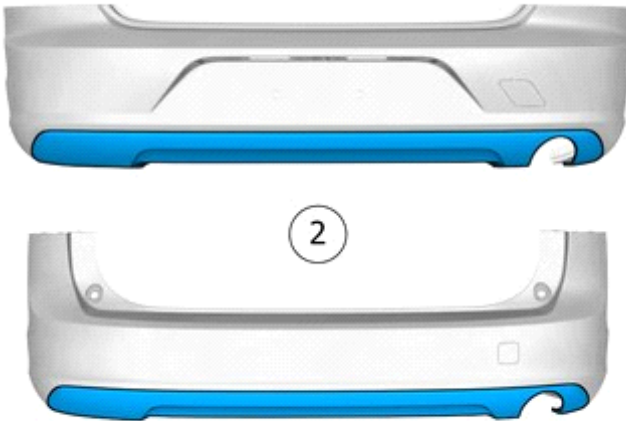


Note!
Orientation view

IMG-416297

Alternative 2

4



Note!
Orientation view

IMG-420395

Alternative 3



Installation instructions, accessories

Volvo Car Corporation Gothenburg, Sweden

5



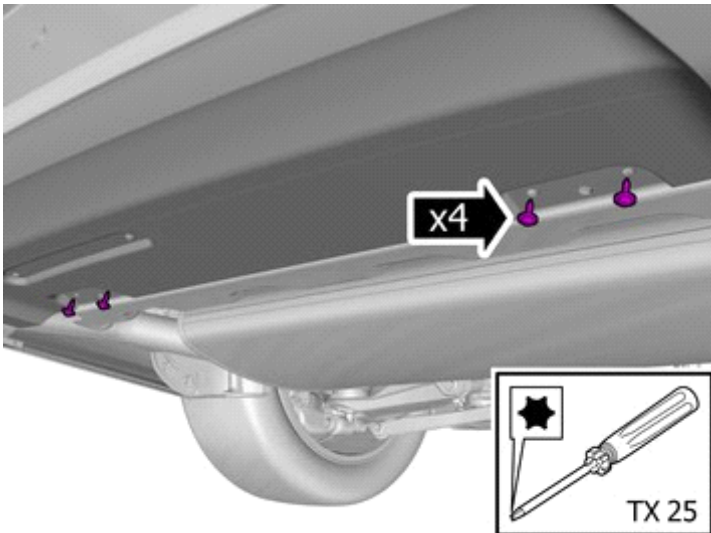
Note!
Orientation view

IMG-416298

All vehicles

Removal

6



Remove the screws.

IMG-410355

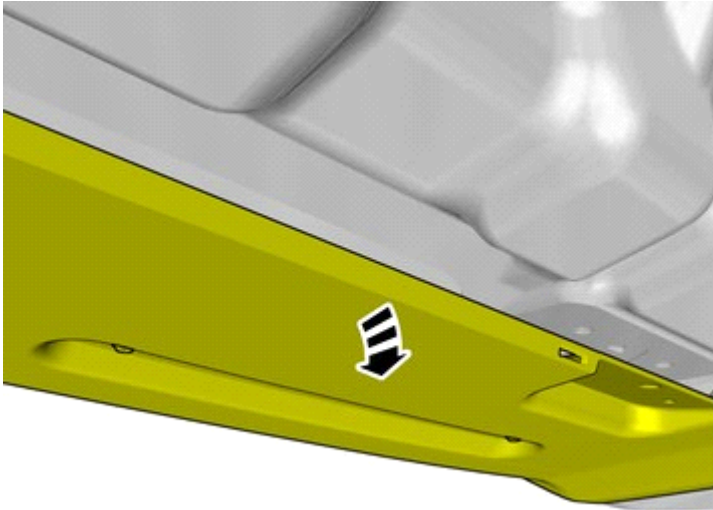
Vehicles with Foot movement detection (FMDM)



Installation instructions, accessories

Volvo Car Corporation Gothenburg, Sweden

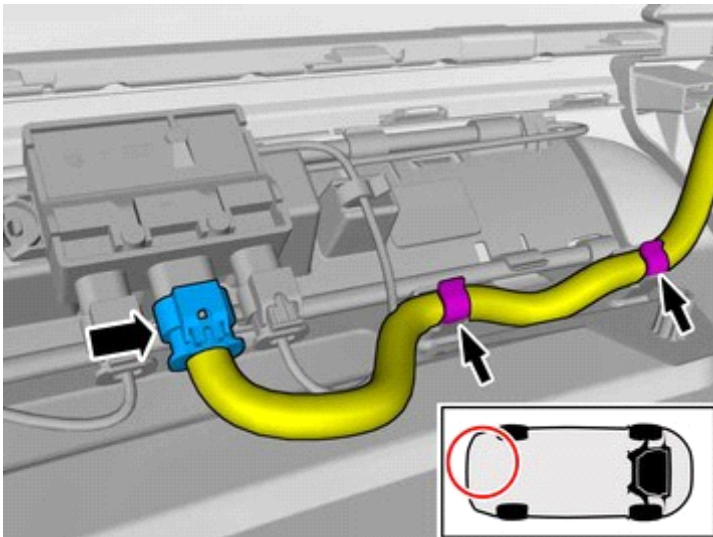
7



Fold marked part to one side.

IMG-416941

8

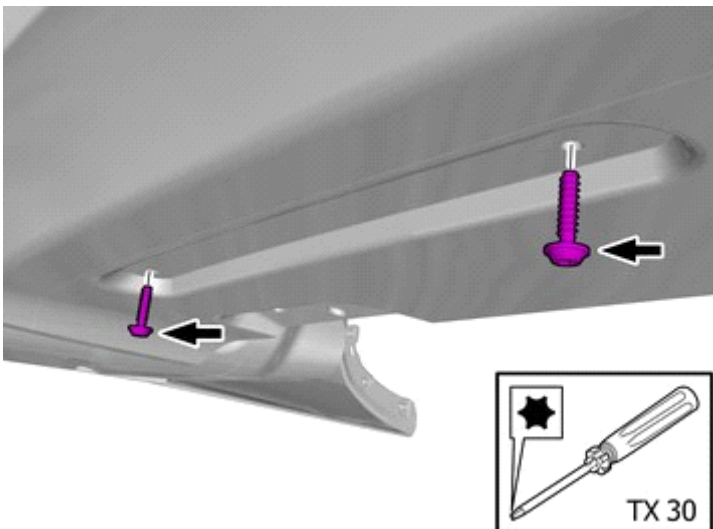


Disconnect the connector.

Remove the cable harness clips.

IMG-413398

9



Remove the screws.

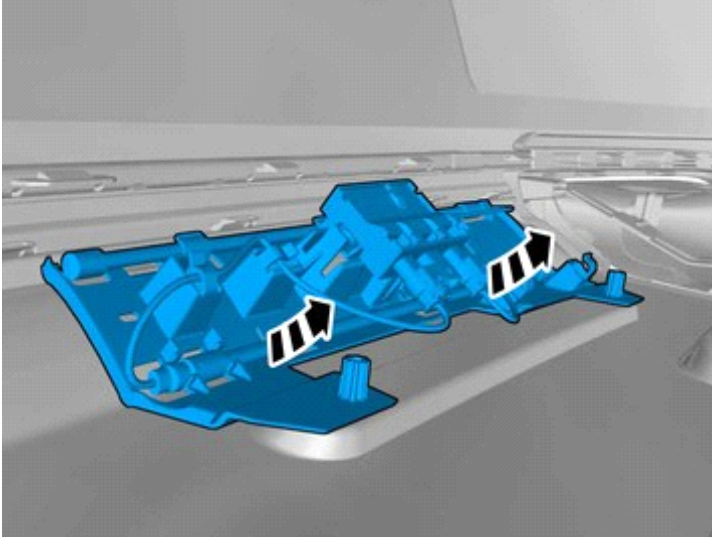
IMG-413397



Installation instructions, accessories

Volvo Car Corporation Gothenburg, Sweden

10



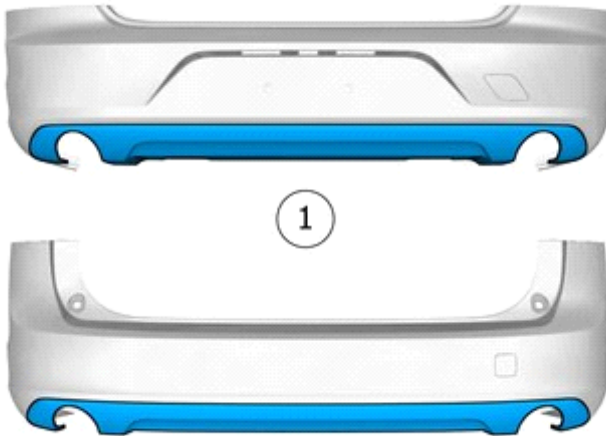
IMG-413400

Remove the marked part.

The part is to be reused.

Alternative 1

11



IMG-416297

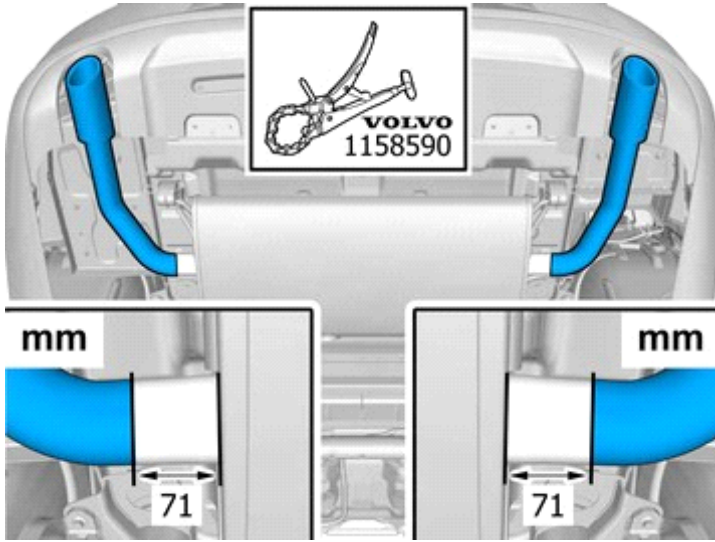
Note!
Orientation view



Installation instructions, accessories

Volvo Car Corporation Gothenburg, Sweden

12

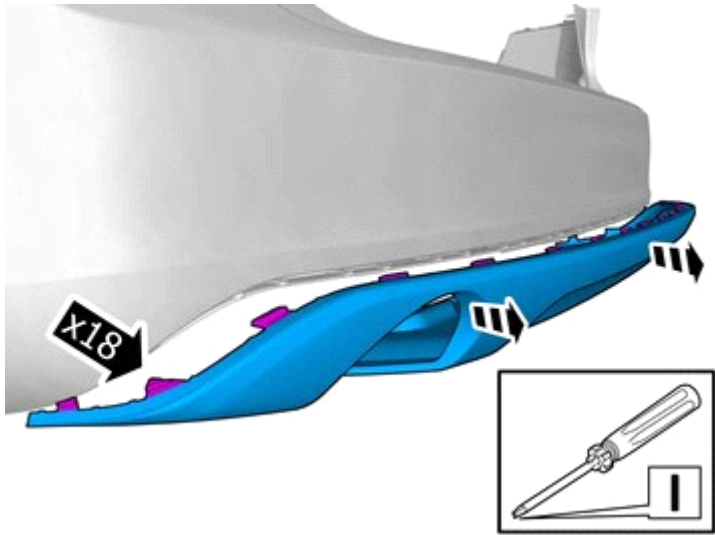


IMG-416525

Remove the marked part.

Use special tool: T1158590, PIPE CUTTER

13



IMG-413600

Release the catches.

Remove the marked part.

Alternative 2



Installation instructions, accessories

Volvo Car Corporation Gothenburg, Sweden

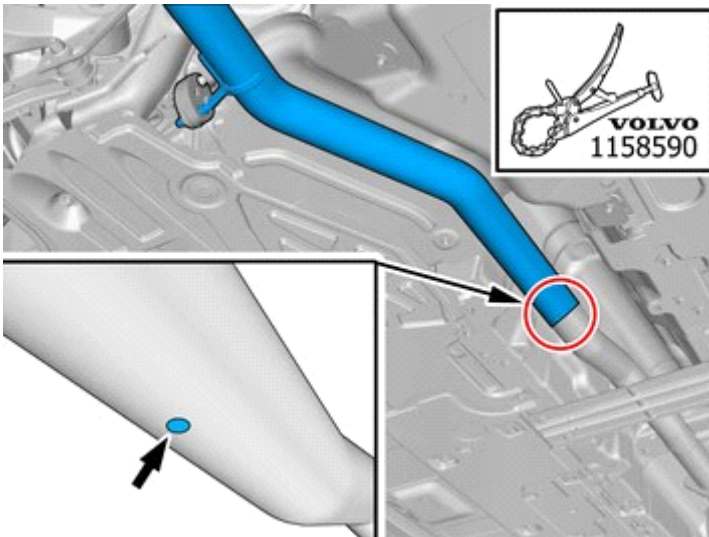
14



Note!
Orientation view

IMG-420395

15

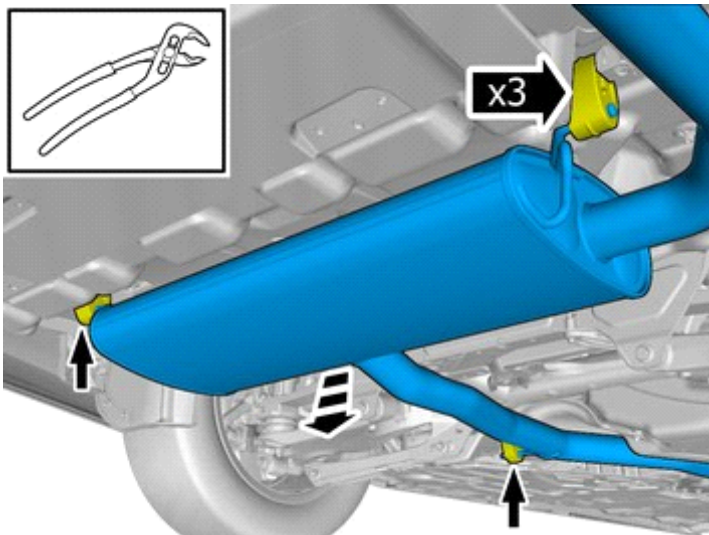


Locate relevant marking.

Use special tool: T1158590, PIPE CUTTER

IMG-420510

16



Note!
This step is easier with two people.

Loosen the marked detail/details.

The part is not to be reused.

IMG-420536



Installation instructions, accessories

Volvo Car Corporation Gothenburg, Sweden

Alternative 3

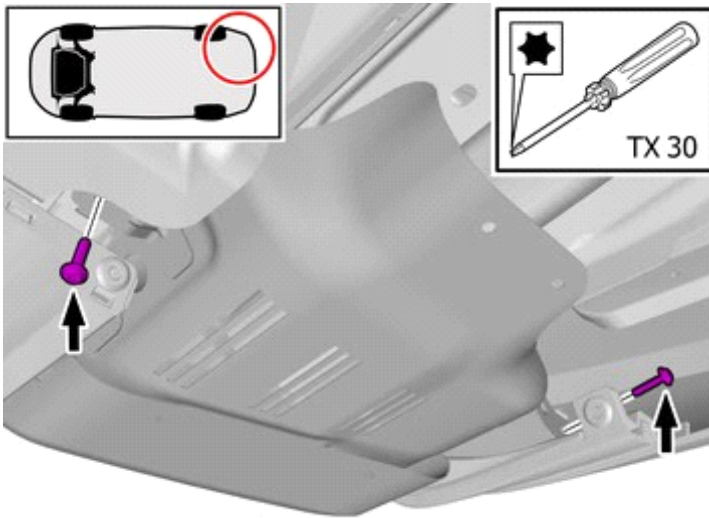
17



Note!
Orientation view

IMG-416298

18



Remove the screws.

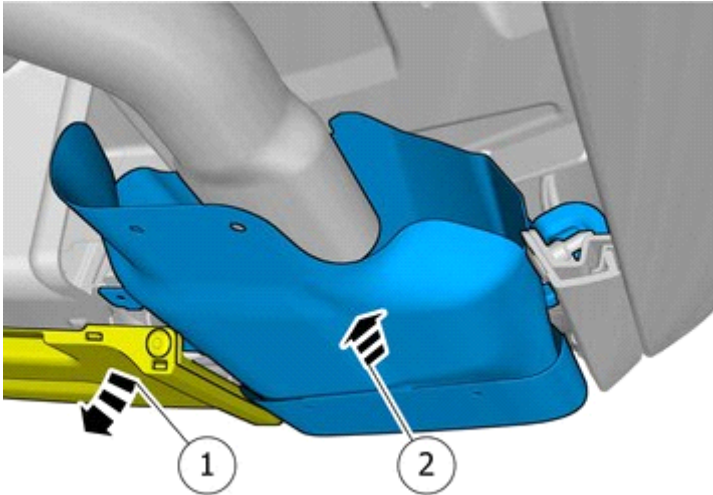
IMG-416457



Installation instructions, accessories

Volvo Car Corporation Gothenburg, Sweden

19



Fold marked part to one side.

Remove the part carefully

IMG-416455

20



Remove the marked part.

IMG-416456

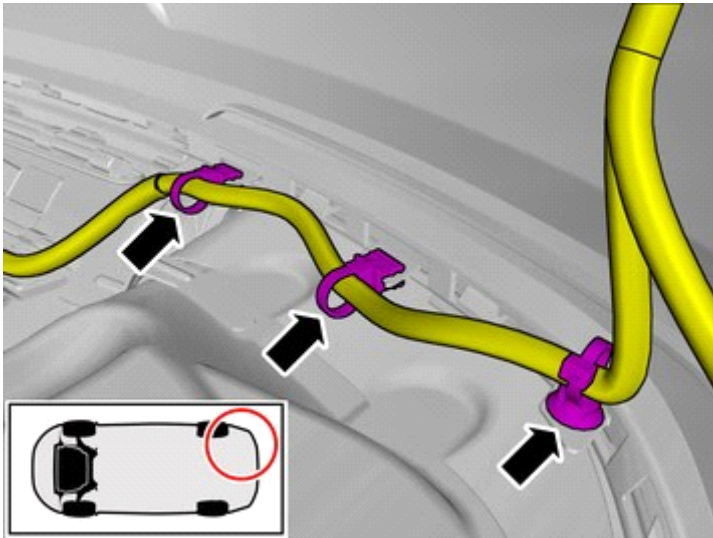
Vehicles with Foot movement detection (FMDM)



Installation instructions, accessories

Volvo Car Corporation Gothenburg, Sweden

21

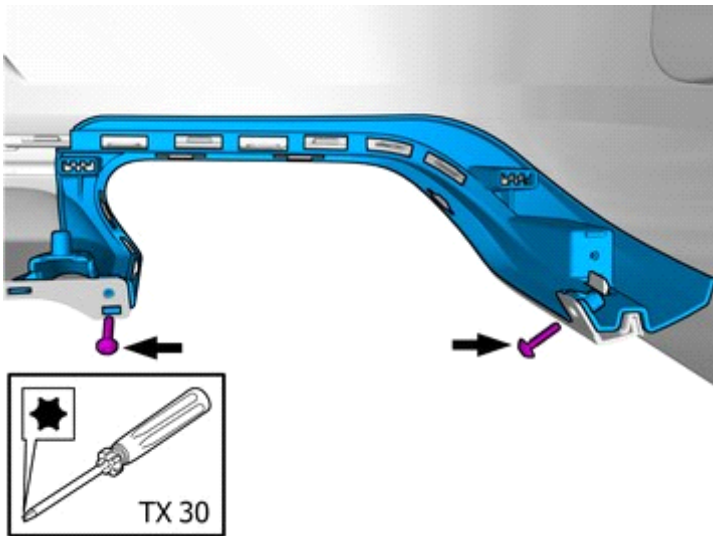


IMG-413399

Remove the cable harness clips.

Alternative 3

22



IMG-413411

Remove the clips.

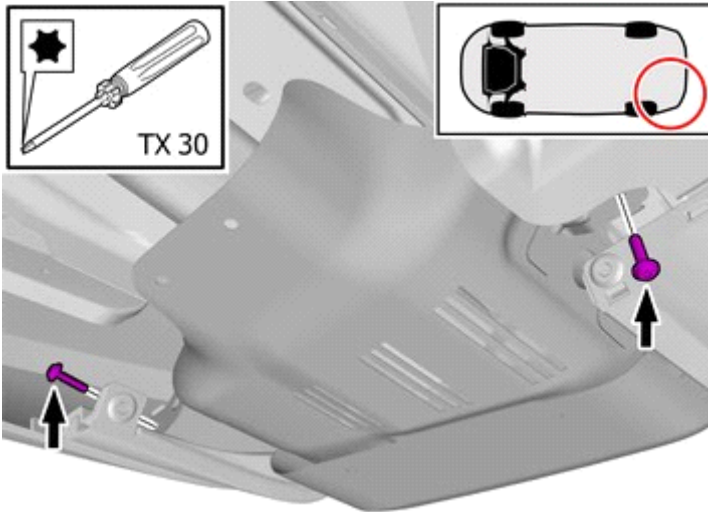
Remove the marked part.



Installation instructions, accessories

Volvo Car Corporation Gothenburg, Sweden

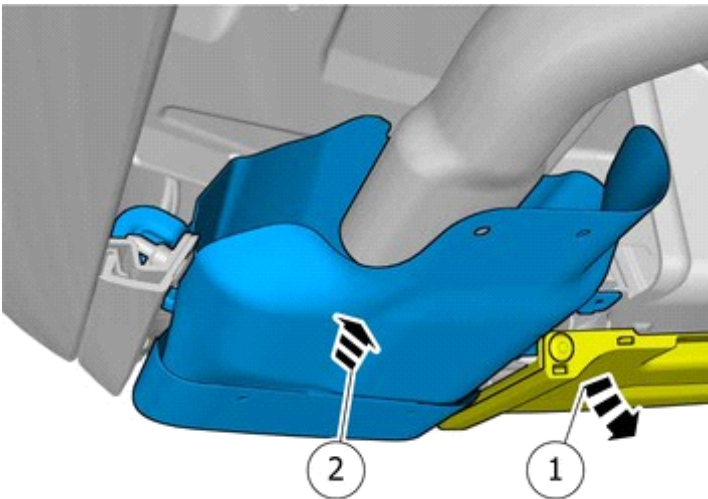
23



Remove the screws.

IMG-416529

24

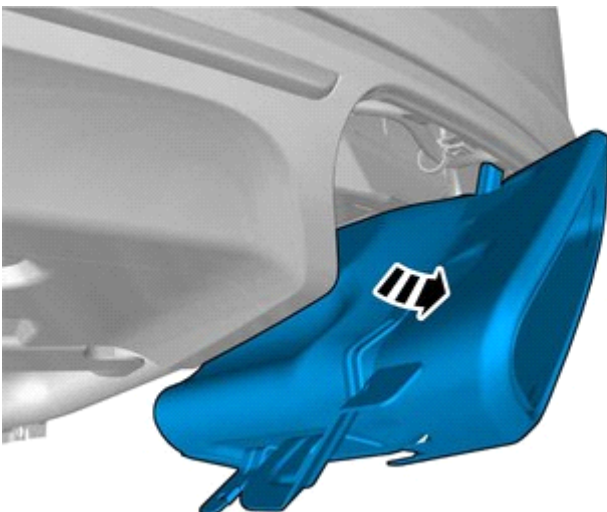


Fold marked part to one side.

Remove the part carefully

IMG-416530

25



Remove the marked part.

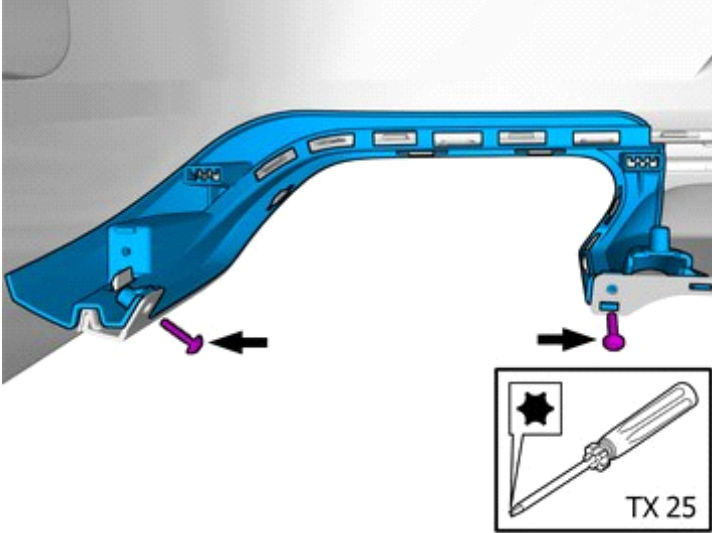
IMG-416531



Installation instructions, accessories

Volvo Car Corporation Gothenburg, Sweden

26

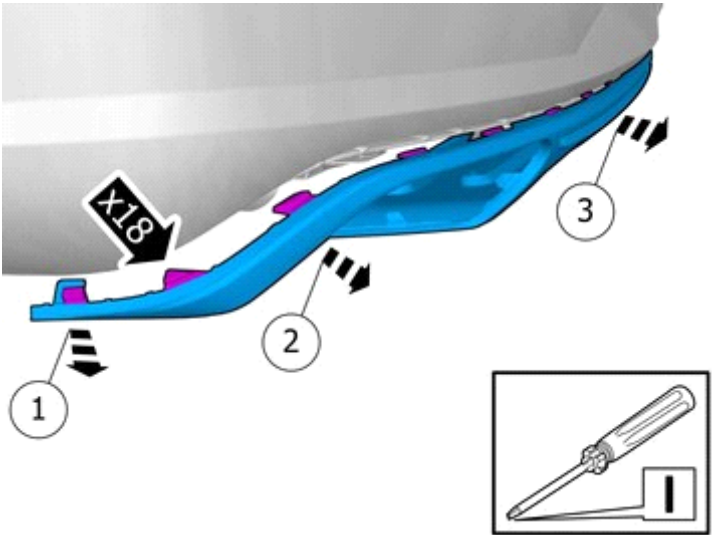


IMG-416535

Remove the clips.

Remove the marked part.

27



IMG-416557

Release the catches.

Remove the marked part.

All vehicles

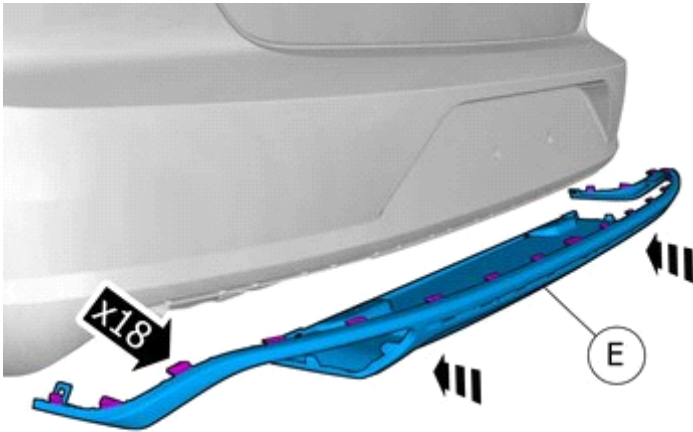
Accessory installation



Installation instructions, accessories

Volvo Car Corporation Gothenburg, Sweden

28

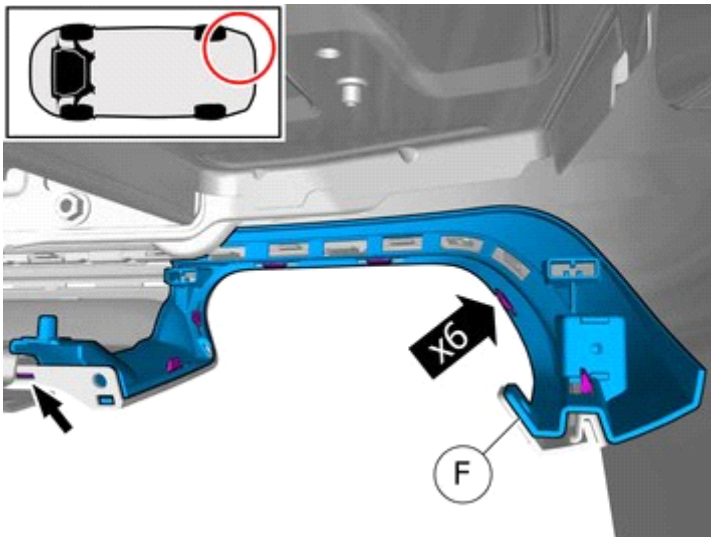


IMG-416716

Install component that comes with the accessory kit.

Ensure that all clips engage.

29

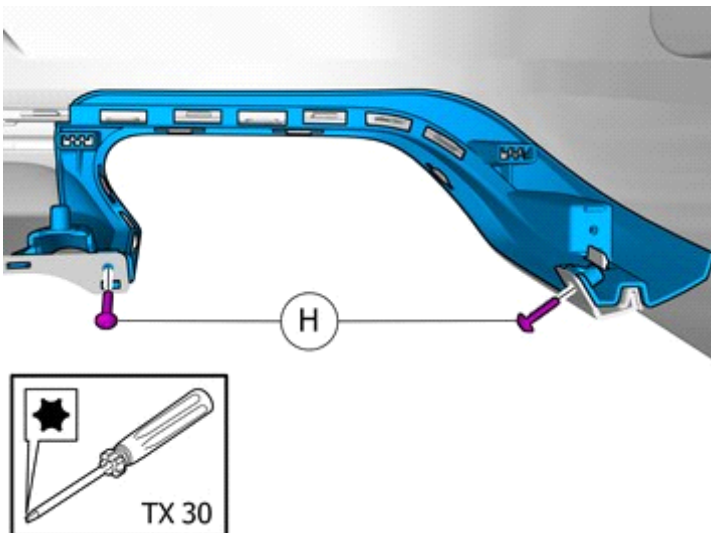


IMG-416736

Install component that comes with the accessory kit.

Ensure that all clips engage.

30



IMG-416779

Install component that comes with the accessory kit.

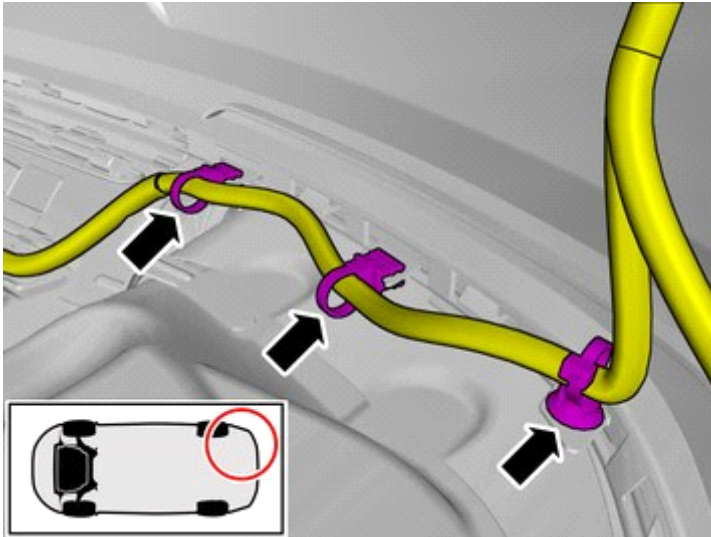


Installation instructions, accessories

Volvo Car Corporation Gothenburg, Sweden

Vehicles with Foot movement detection (FMDM)

31

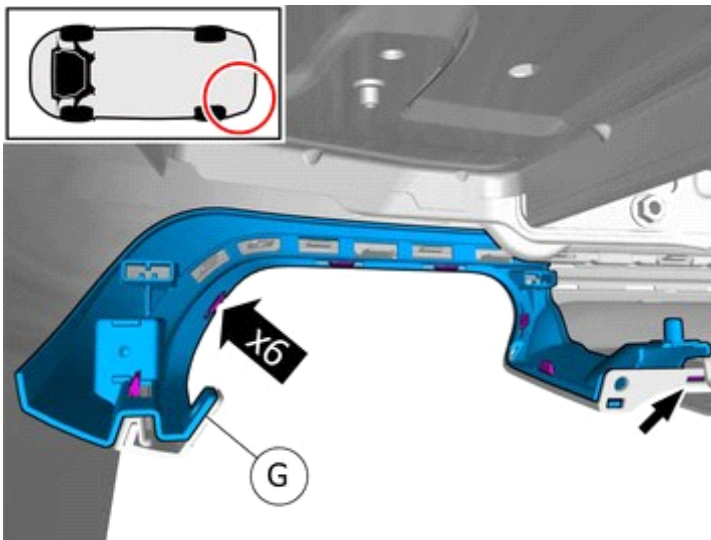


IMG-413399

Install the wiring harness.

All vehicles

32



IMG-416737

Install component that comes with the accessory kit.

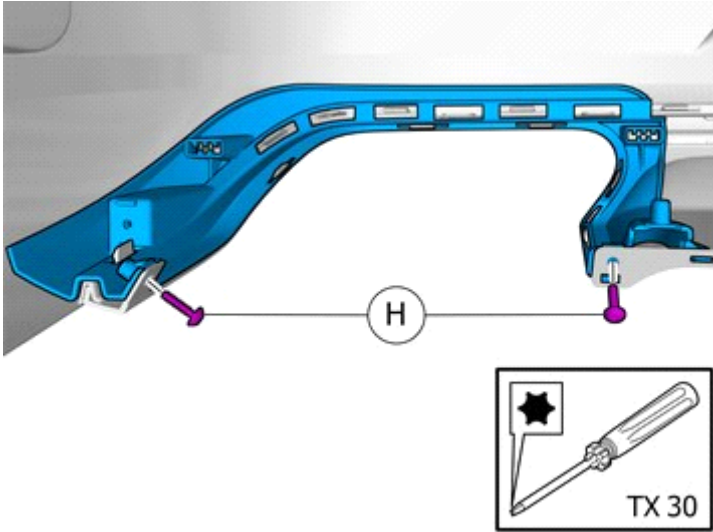
Ensure that all clips engage.



Installation instructions, accessories

Volvo Car Corporation Gothenburg, Sweden

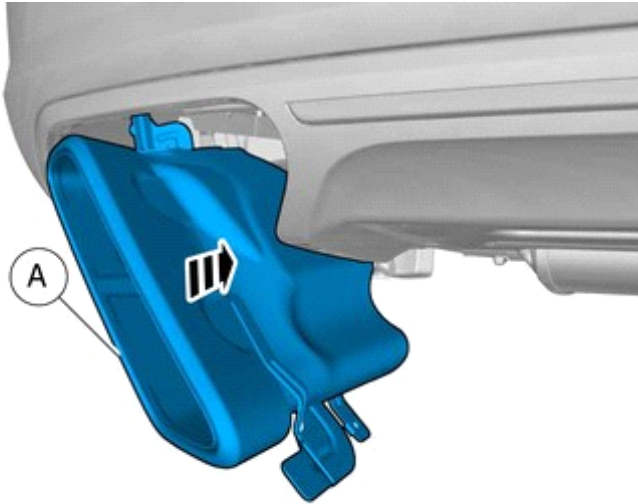
33



IMG-416780

Install component that comes with the accessory kit.

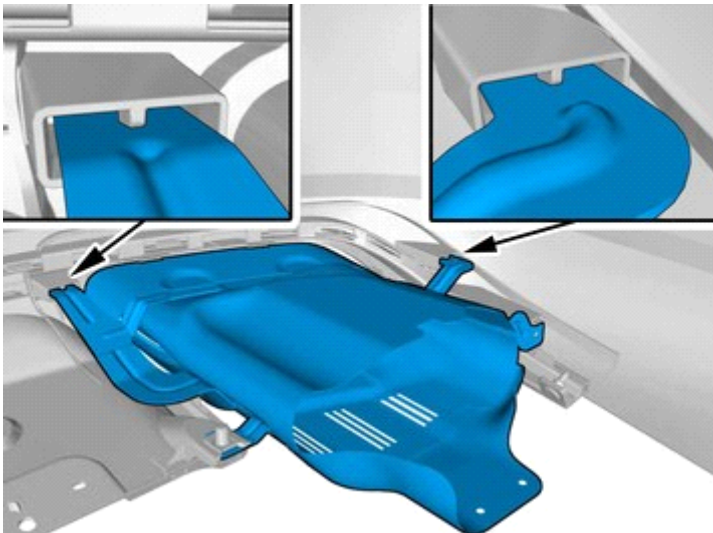
34



IMG-416462

Install component that comes with the accessory kit.

35



IMG-416465

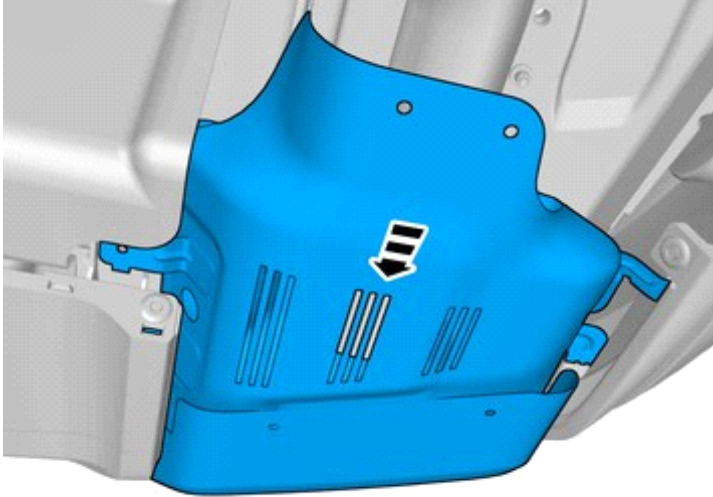
Note!
Orientation view



Installation instructions, accessories

Volvo Car Corporation Gothenburg, Sweden

36



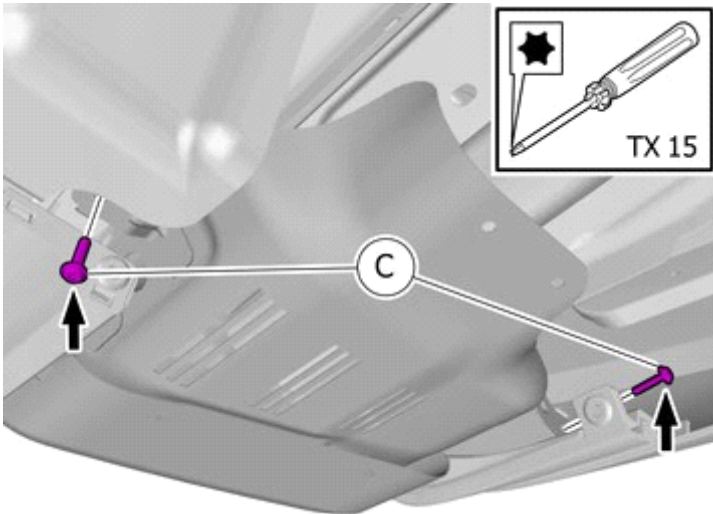
IMG-416468

Note!

Note the position.

Install component that comes with the accessory kit.

37



IMG-416464

Install component that comes with the accessory kit.

Tighten the bolts.

38



IMG-416785

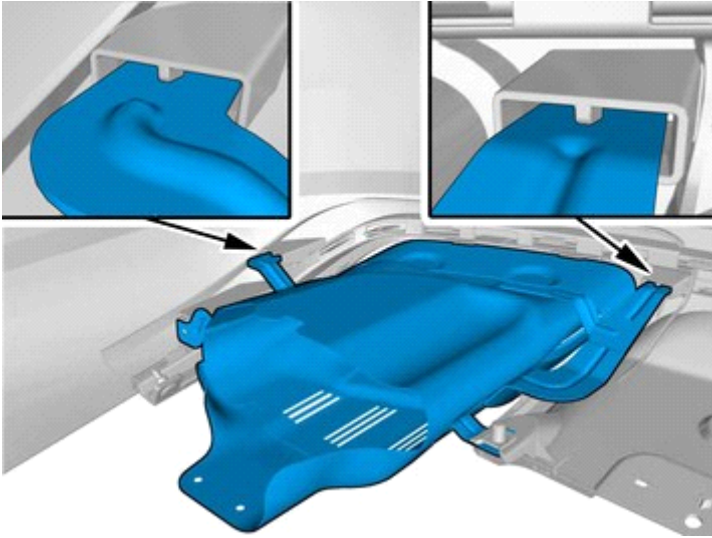
Install component that comes with the accessory kit.



Installation instructions, accessories

Volvo Car Corporation Gothenburg, Sweden

39

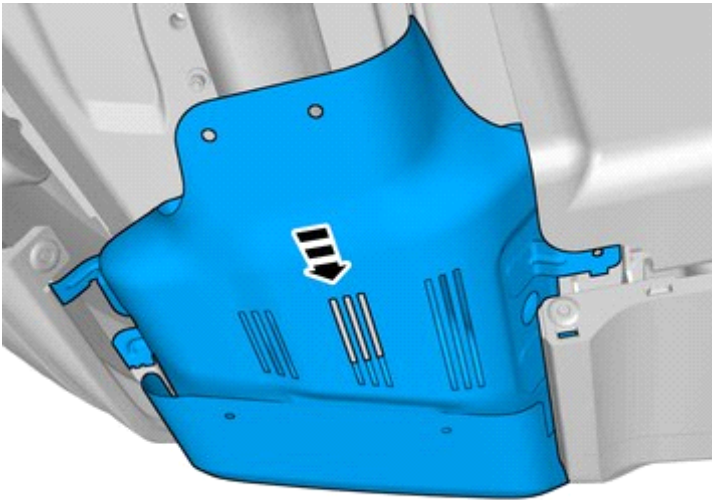


IMG-416788

Note!

Orientation view

40



IMG-416789

Note!

Note the position.

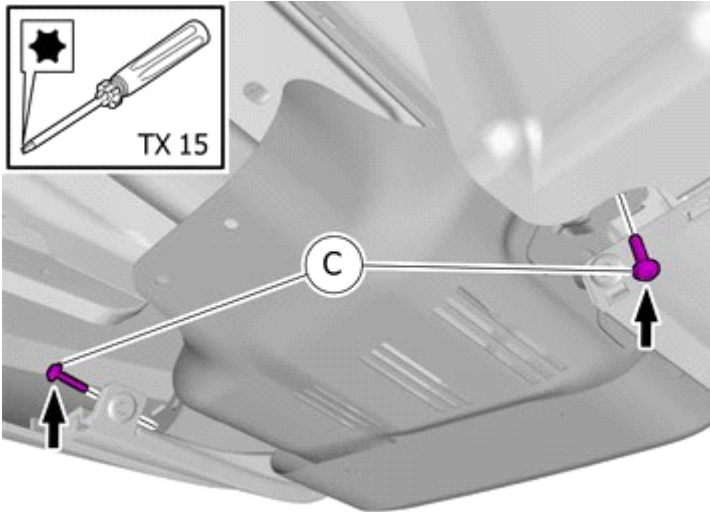
Install component that comes with the accessory kit.



Installation instructions, accessories

Volvo Car Corporation Gothenburg, Sweden

41



IMG-416790

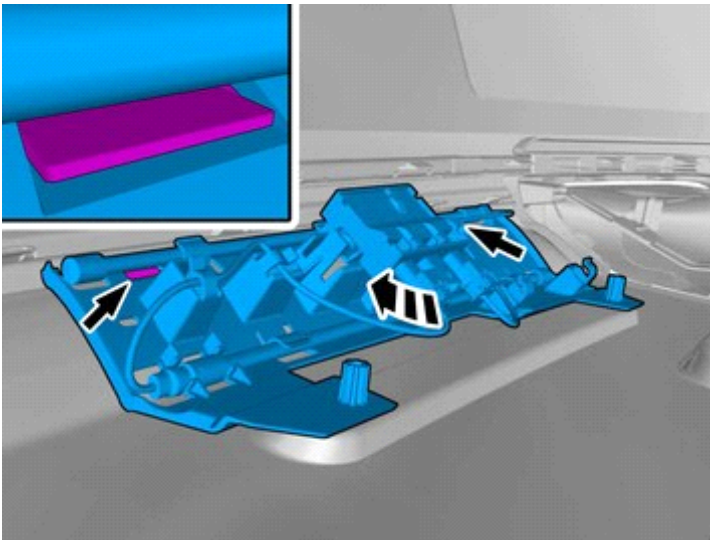
Install component that comes with the accessory kit.

Tighten the bolts.

Installation

Vehicles with Foot movement detection (FMDM)

42



IMG-416729

Reinstall the removed part.

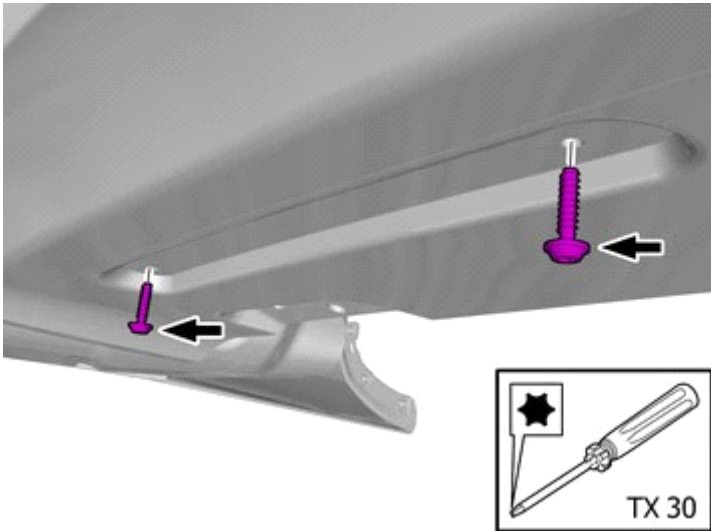
Ensure that all clips engage.



Installation instructions, accessories

Volvo Car Corporation Gothenburg, Sweden

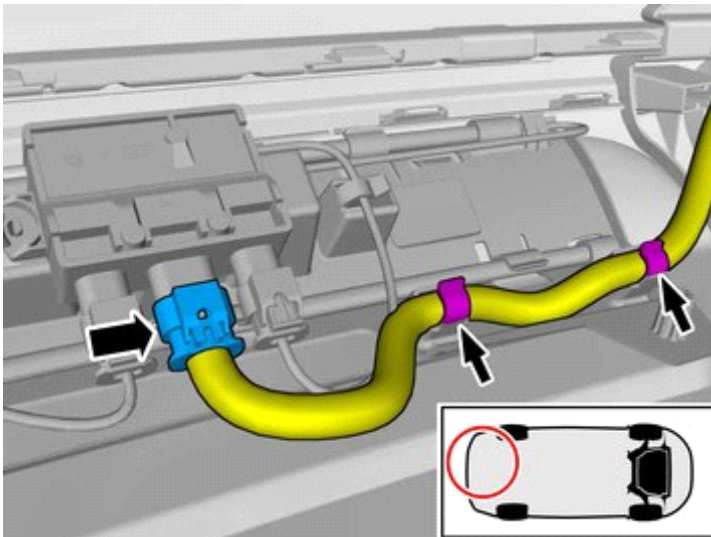
43



IMG-413397

Reinstall the screws.

44



IMG-413398

Connect the connector.

Install the cable.

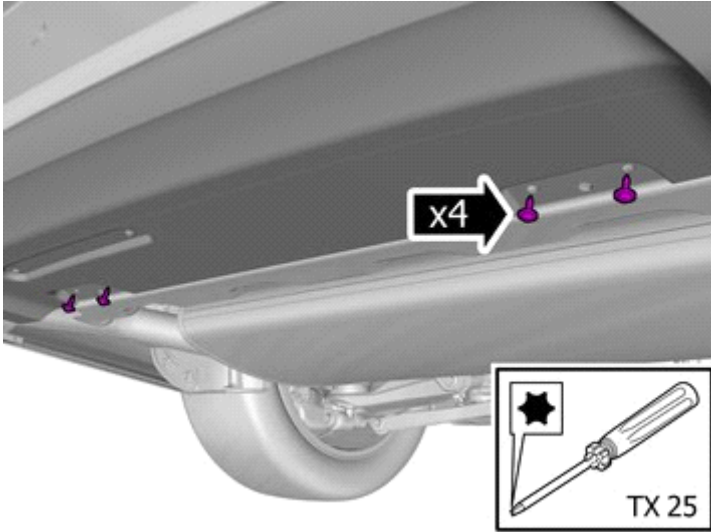
All vehicles



Installation instructions, accessories

Volvo Car Corporation Gothenburg, Sweden

45

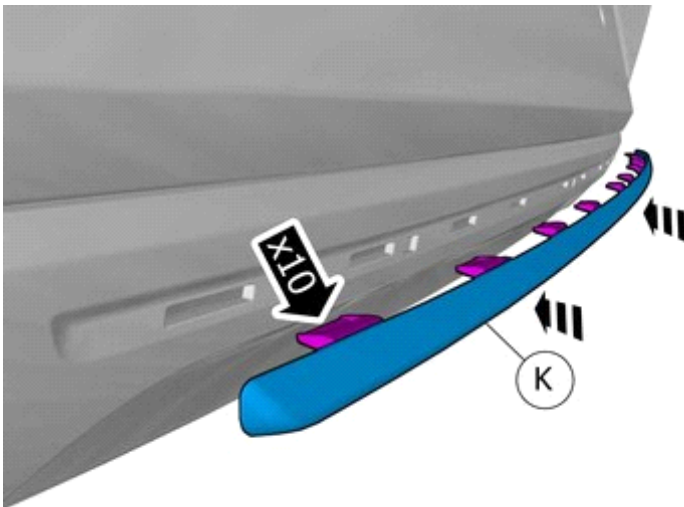


IMG-410355

Reinstall the screws.

Accessory installation

46



IMG-416945

Install component that comes with the accessory kit.

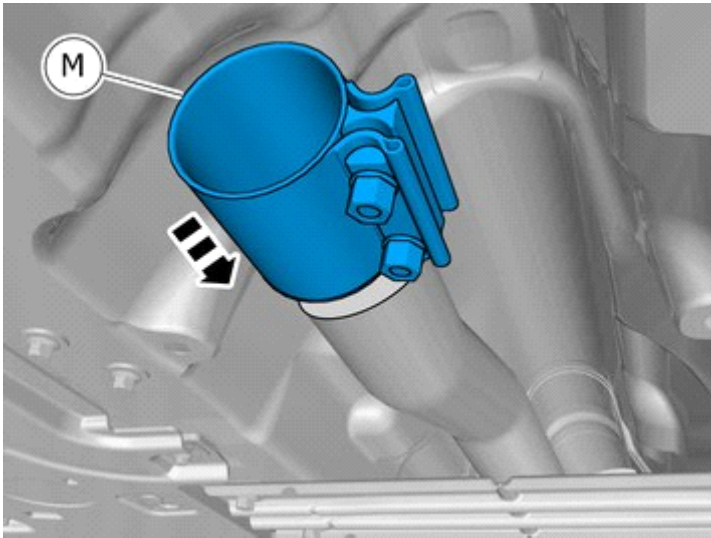
Alternative 2



Installation instructions, accessories

Volvo Car Corporation Gothenburg, Sweden

47



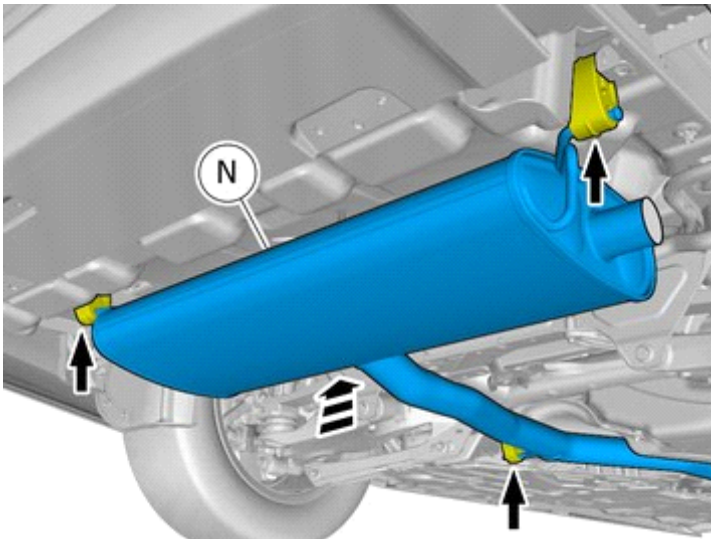
IMG-420511

Note!

Do not fully tighten the nuts yet.

Install component that comes with the accessory kit.

48



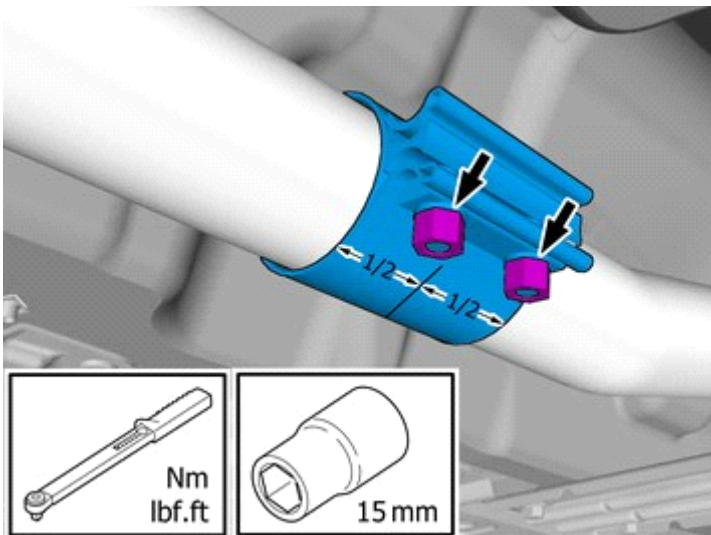
IMG-420525

Note!

This step is easier with two people.

Install component that comes with the accessory kit.

49



IMG-420526

Place the component where indicated in the graphic.

Tighten the nuts.

Tightening torque: M10 , 50 Nm

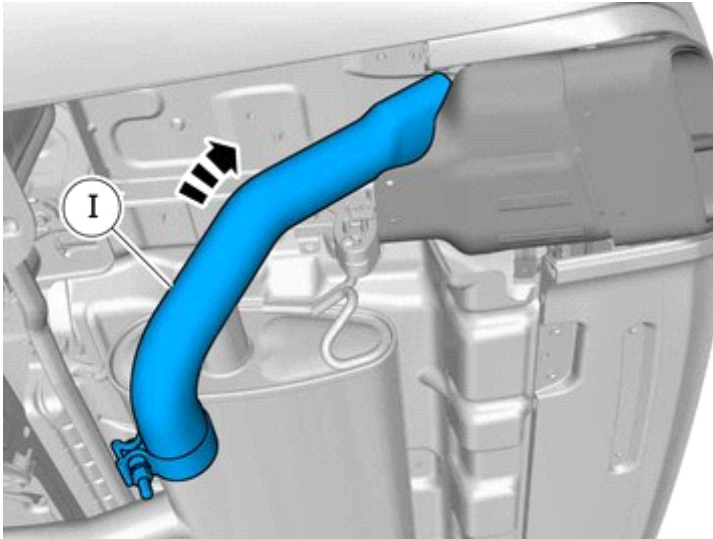


Installation instructions, accessories

Volvo Car Corporation Gothenburg, Sweden

Option 1 and 2

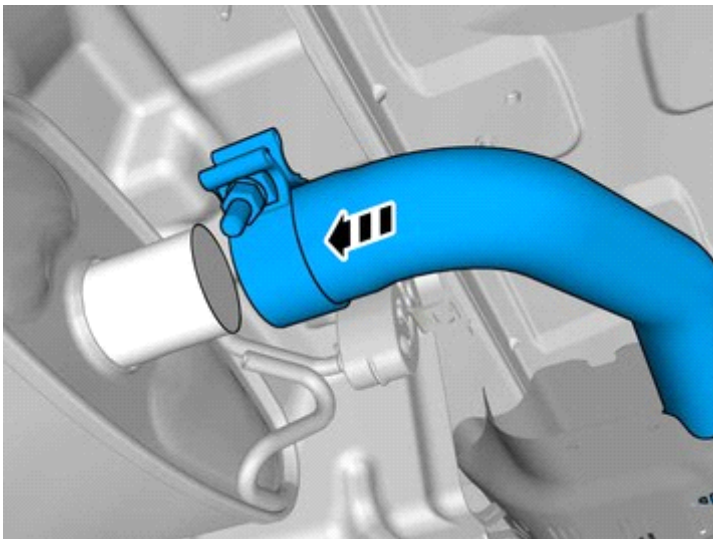
50



IMG-416821

Install component that comes with the accessory kit.

51



IMG-416823

Note!

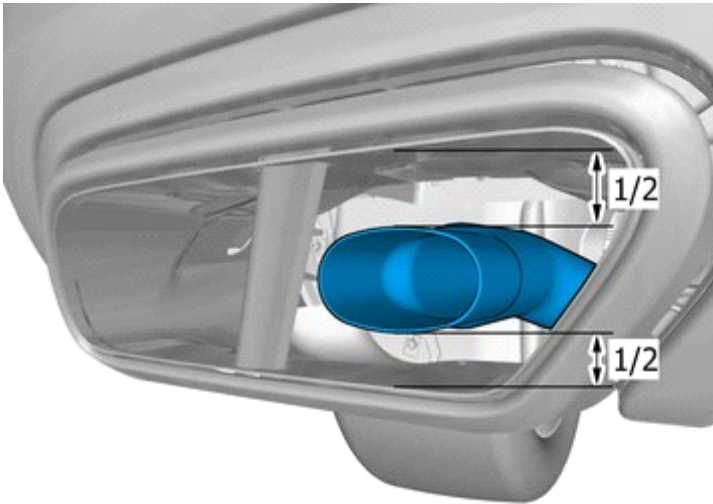
Do not fully tighten the nut yet.



Installation instructions, accessories

Volvo Car Corporation Gothenburg, Sweden

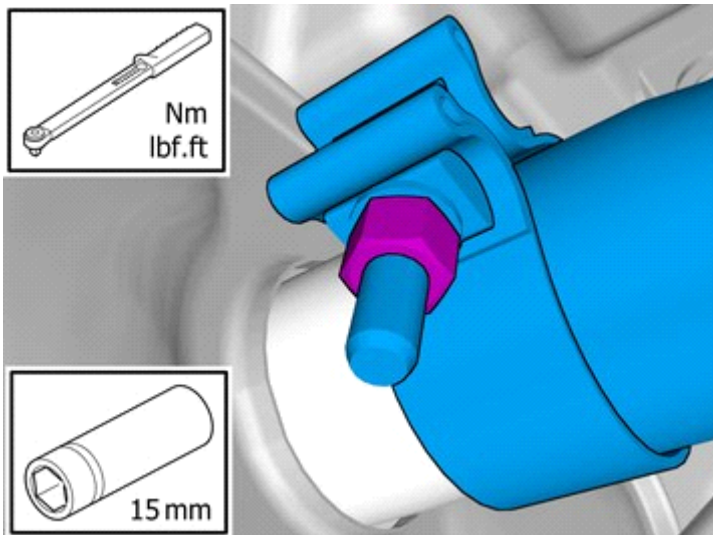
52



Note!
Make sure that the component is centred.

IMG-416906

53

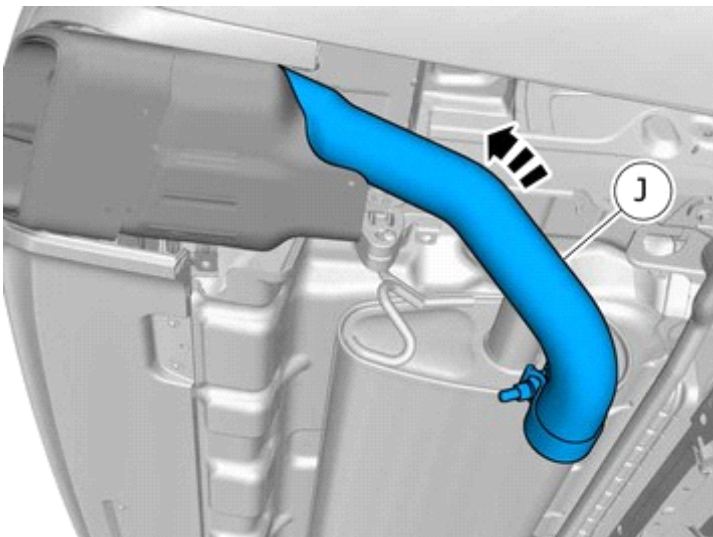


Tighten to the value stated.

Tightening torque: M10 , 50 Nm

IMG-416908

54



Install component that comes with the accessory kit.

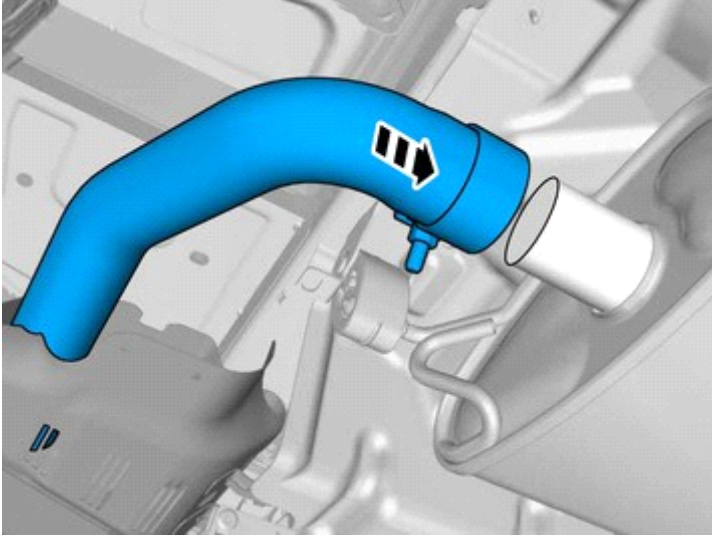
IMG-416820



Installation instructions, accessories

Volvo Car Corporation Gothenburg, Sweden

55

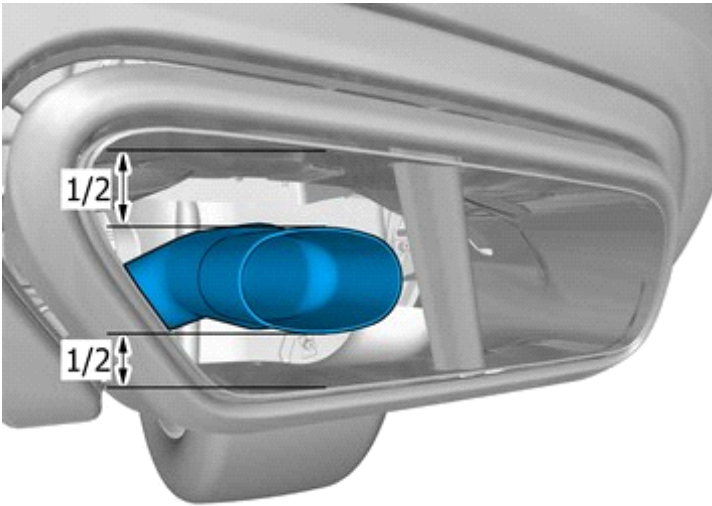


IMG-416909

Note!

Do not fully tighten the nut yet.

56

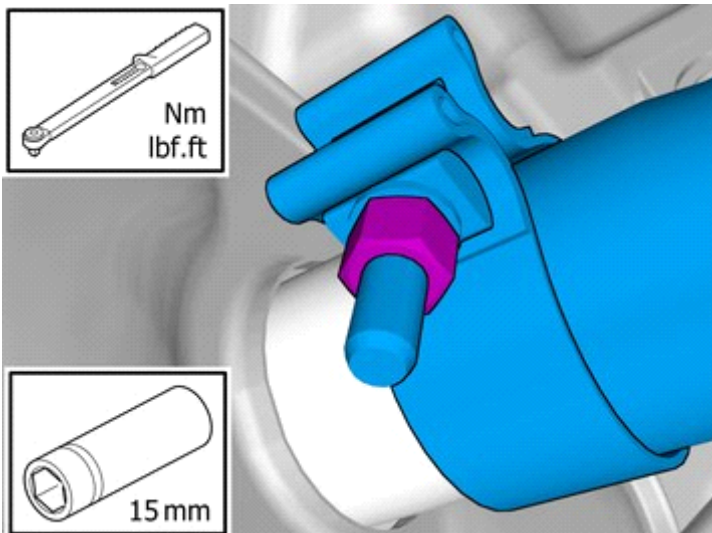


IMG-416907

Note!

Make sure that the component is centred.

57



IMG-416908

Tighten to the value stated.

Tightening torque: M10 , 50 Nm



Installation instructions, accessories

Volvo Car Corporation Gothenburg, Sweden
